

PRO-MED



Knochenchirurgie / Neurochirurgie / Mikrochirurgie

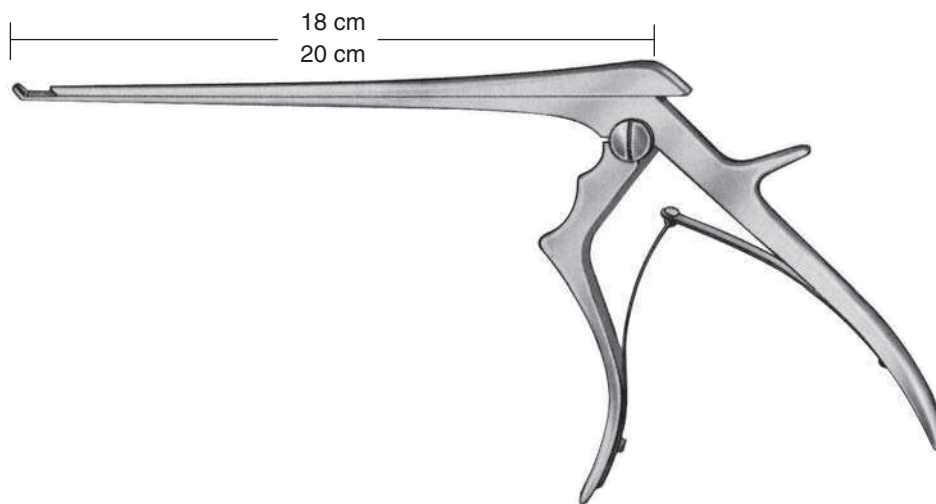
Bone Surgery / Neuro Surgery / Micro Surgery

Chirurgie osseuse / Neurochirurgie / Microchirurgie

Cirurgia osea / Neuro Cirurgia / Micro Cirurgia

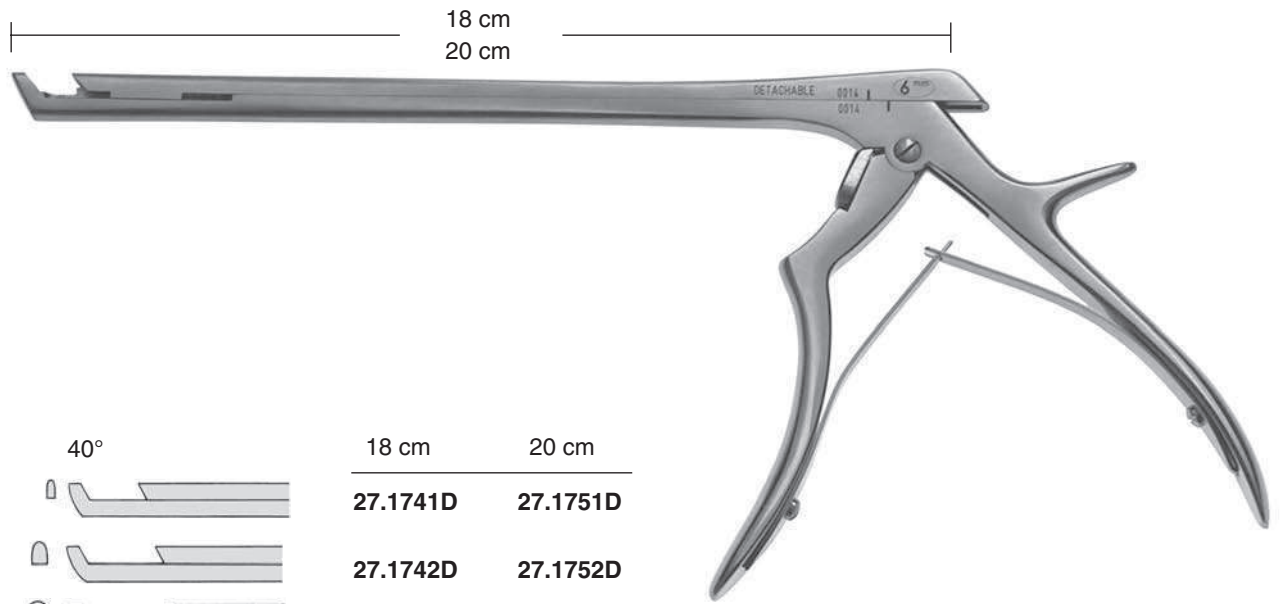
PRO-MED

mit dünner Fußplatte
 with thin footplate
 avec pied mince
 con lamina delgado



FERRIS-SMITH-KERRISON

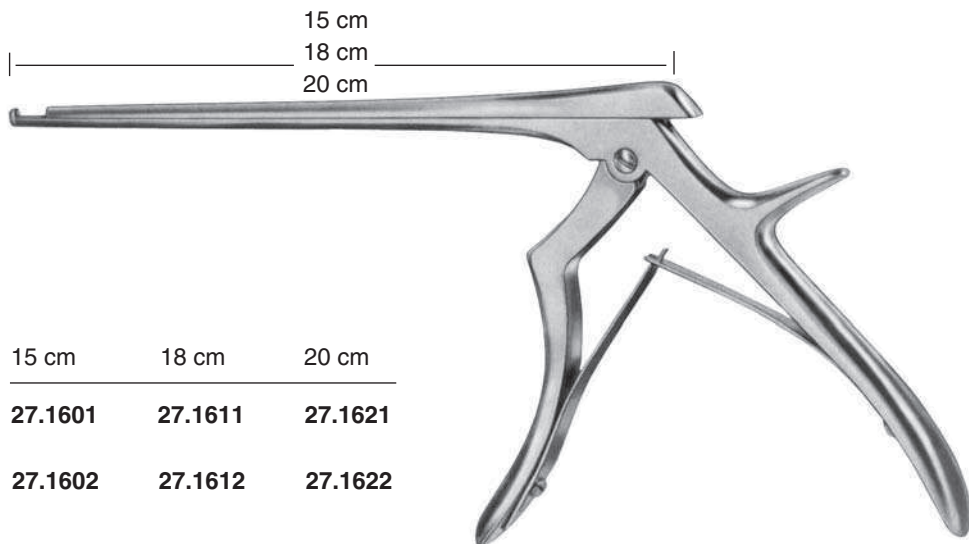
		18 cm		20 cm
90°		27.1561	1 mm	27.1561-20
		27.1562	2 mm	27.1562-20
		27.1563	3 mm	27.1563-20
		27.1564	4 mm	27.1564-20
		27.1565	5 mm	27.1565-20
40°		27.1581	1 mm	27.1581-20
		27.1582	2 mm	27.1582-20
		27.1583	3 mm	27.1583-20
		27.1584	4 mm	27.1584-20
		27.1585	5 mm	27.1585-20



	40°	18 cm	20 cm
1 mm		27.1741D	27.1751D
2 mm		27.1742D	27.1752D
3 mm		27.1743D	27.1753D
4 mm		27.1744D	27.1754D
5 mm		27.1745D	27.1755D
6 mm		27.1746D	27.1756D



zerlegbar
 detachable
 démontable
 desmontable



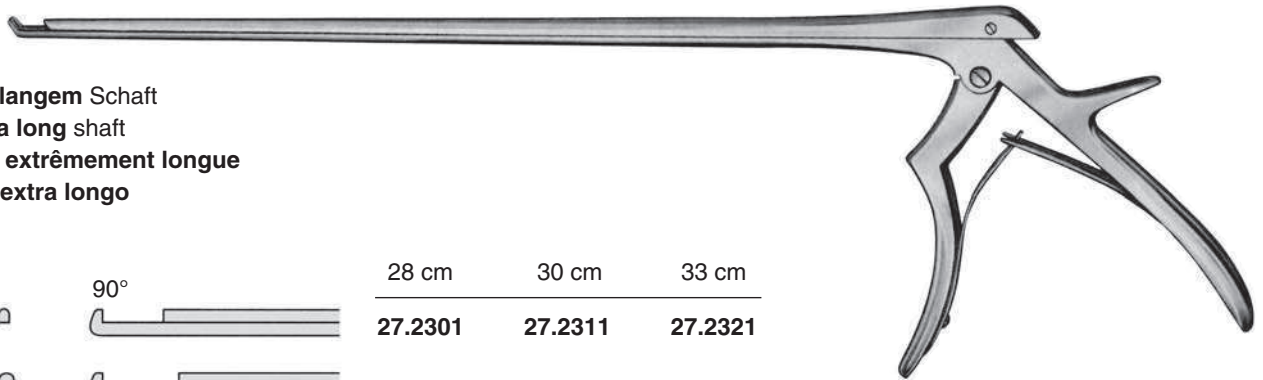
FERRIS-SMITH-KERRISON

	90°	15 cm	18 cm	20 cm
1 mm		27.1601	27.1611	27.1621
2 mm		27.1602	27.1612	27.1622
3 mm		27.1603	27.1613	27.1623
4 mm		27.1604	27.1614	27.1624
5 mm		27.1605	27.1615	27.1625
6 mm			27.1616	27.1626

	90°	15 cm	18 cm	20 cm
1 mm		27.1631	27.1641	27.1651
2 mm		27.1632	27.1642	27.1652
3 mm		27.1633	27.1643	27.1653
4 mm		27.1634	27.1644	27.1654
5 mm		27.1635	27.1645	27.1655
6 mm			27.1646	27.1656

	40°	15 cm	18 cm	20 cm
1 mm		27.1731	27.1741	27.1751
2 mm		27.1732	27.1742	27.1752
3 mm		27.1733	27.1743	27.1753
4 mm		27.1734	27.1744	27.1754
5 mm		27.1735	27.1745	27.1755
6 mm			27.1746	27.1756

mit **extralangem** Schaft
 with **extra long** shaft
 avec tige **extrêmement longue**
 con asta **extra longo**

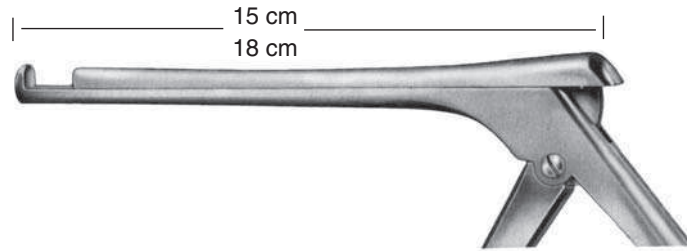


FERRIS-SMITH-KERRISON

		90°	28 cm	30 cm	33 cm
1 mm			27.2301	27.2311	27.2321
2 mm			27.2302	27.2312	27.2322
3 mm			27.2303	27.2313	27.2323
4 mm			27.2304	27.2314	27.2324
5 mm			27.2305	27.2315	27.2325
6 mm			27.2306	27.2316	27.2326

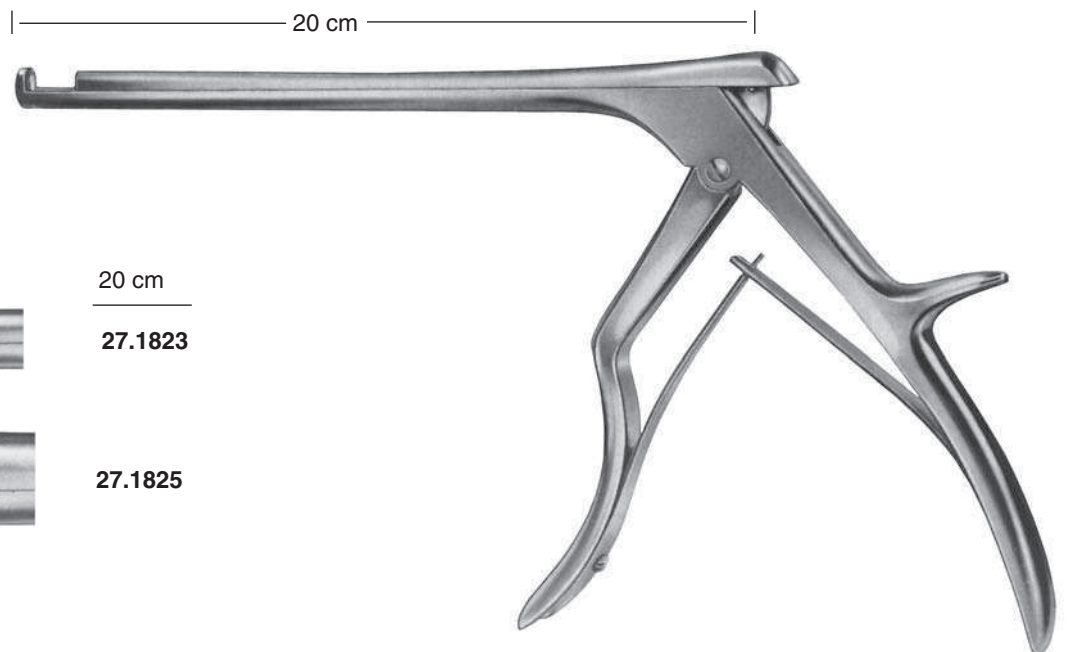
		90°	28 cm	30 cm	33 cm
1 mm			27.2331	27.2341	27.2351
2 mm			27.2332	27.2342	27.2352
3 mm			27.2333	27.2343	27.2353
4 mm			27.2334	27.2344	27.2354
5 mm			27.2335	27.2345	27.2355
6 mm			27.2336	27.2346	27.2356

		40°	28 cm	30 cm	33 cm
1 mm			27.2361	27.2371	27.2381
2 mm			27.2362	27.2372	27.2382
3 mm			27.2363	27.2373	27.2383
4 mm			27.2364	27.2374	27.2384
5 mm			27.2365	27.2375	27.2385
6 mm			27.2366	27.2376	27.2386



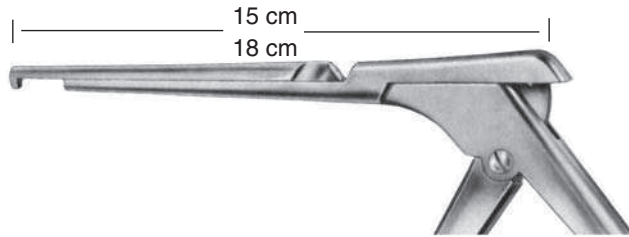
COLCLOUGH

	90°	15 cm	18 cm
3 mm		27.1803	27.1813
5 mm		27.1805	27.1815

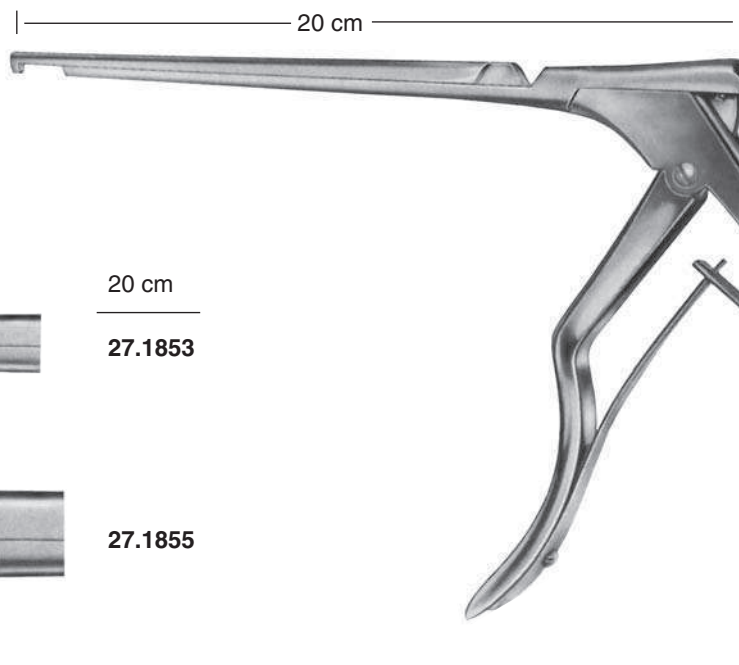


COLCLOUGH
20 cm

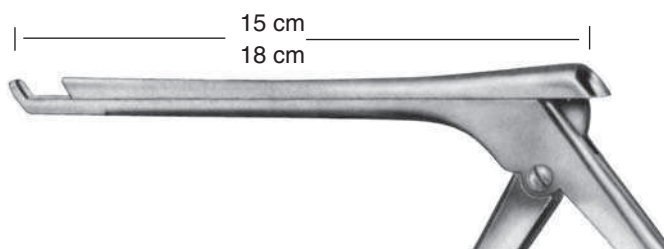
	90°	20 cm
3 mm		27.1823
5 mm		27.1825



COLCLOUGH



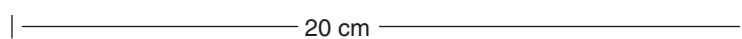
COLCLOUGH



		15 cm	18 cm	
3 mm			27.1863	27.1873

COLCLOUGH

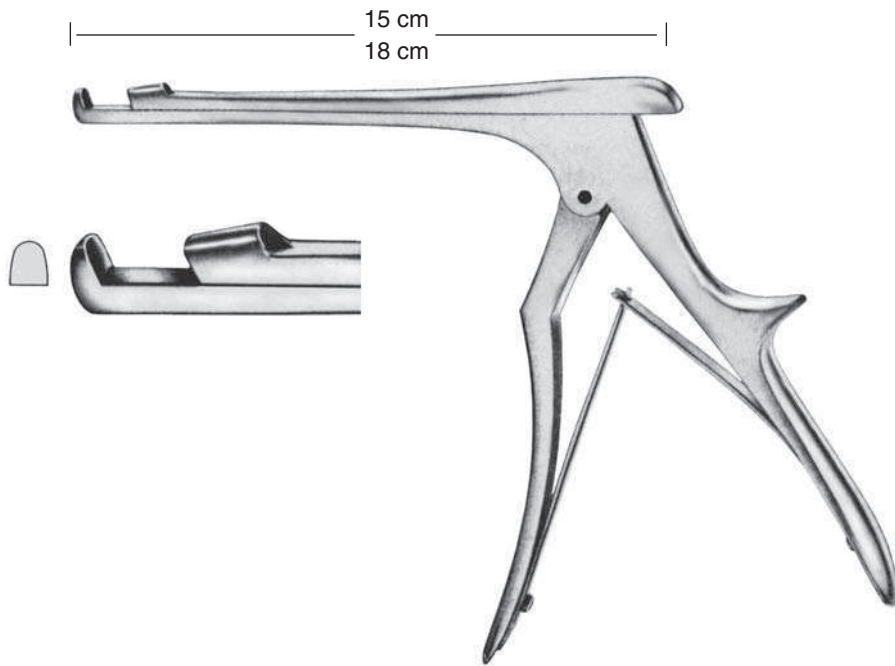
5 mm			27.1865	27.1875
------	---	---	---------	---------



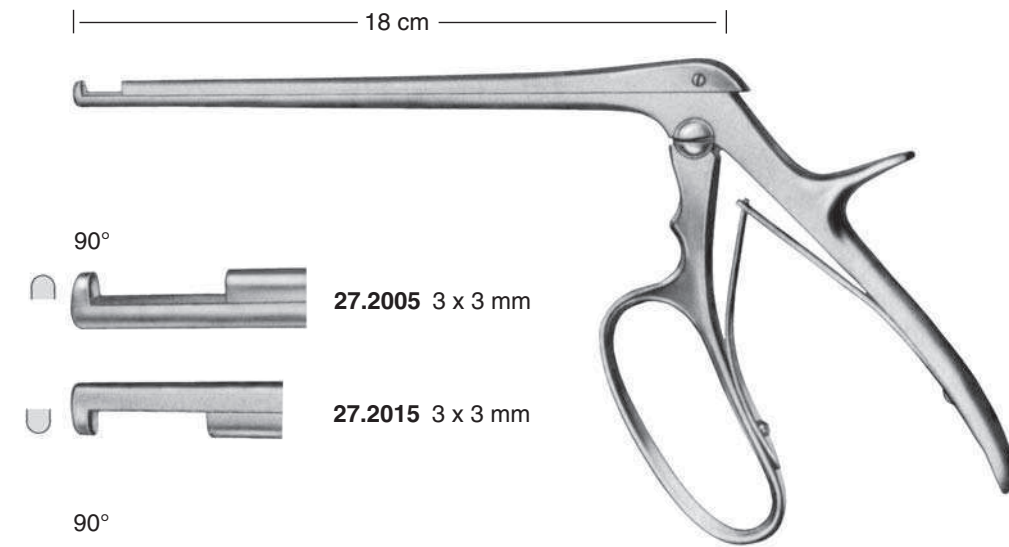
		40°	20 cm	
3 mm			27.1883	

5 mm			27.1885	
------	---	---	---------	--

COLCLOUGH
20 cm



RANEY
 27.1950 15 cm / 6 mm
 27.1952 18 cm / 6 mm



FERRIS-SMITH-KERRISON
 18 cm

90°
 27.2005 3 x 3 mm

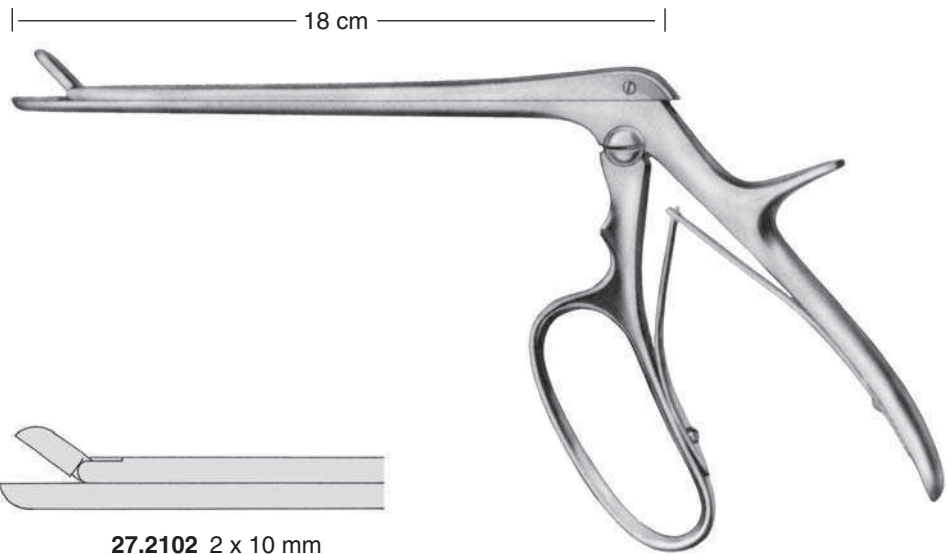
27.2015 3 x 3 mm

90°
 27.2035 5 x 5 mm

27.2045 5 x 5 mm

40°
 27.2055 3 mm

27.2065 5 mm



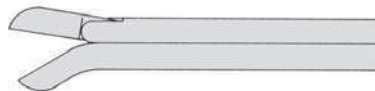
FERRIS-SMITH-CUSHING
18 cm



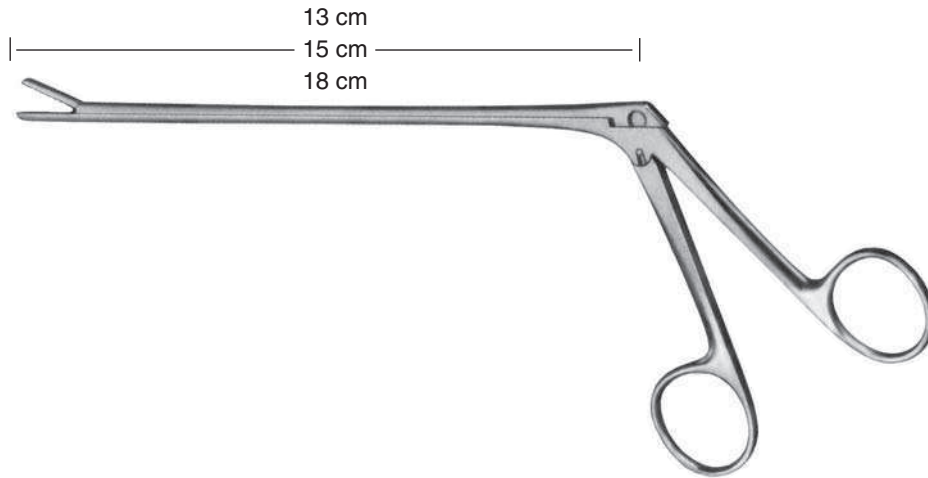
- 27.2102 2 x 10 mm
- 27.2103 3 x 10 mm
- 27.2104 4 x 10 mm
- 27.2106 6 x 10 mm



- 27.2112 2 x 10 mm
- 27.2113 3 x 10 mm
- 27.2114 4 x 10 mm
- 27.2115 5 x 10 mm
- 27.2116 6 x 10 mm



- 27.2122 2 x 10 mm
- 27.2123 3 x 10 mm
- 27.2124 4 x 10 mm

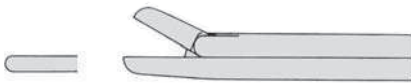


CUSHING
 2 mm

1

2

3



27.2149 13 cm
27.2150 15 cm
27.2155 18 cm

27.2151 15 cm
27.2156 18 cm

27.2152 15 cm
27.2157 18 cm

LOVE-GRUENWALD
 3 mm

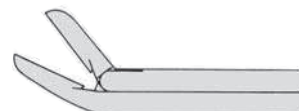
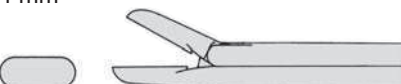


27.2159 13 cm
27.2160 15 cm
27.2165 18 cm

27.2163 13 cm
27.2161 15 cm
27.2166 18 cm

27.2164 13 cm
27.2162 15 cm
27.2167 18 cm

SPURLING
 4 mm



27.2169 13 cm
27.2170 15 cm
27.2175 18 cm

27.2171 15 cm
27.2176 18 cm

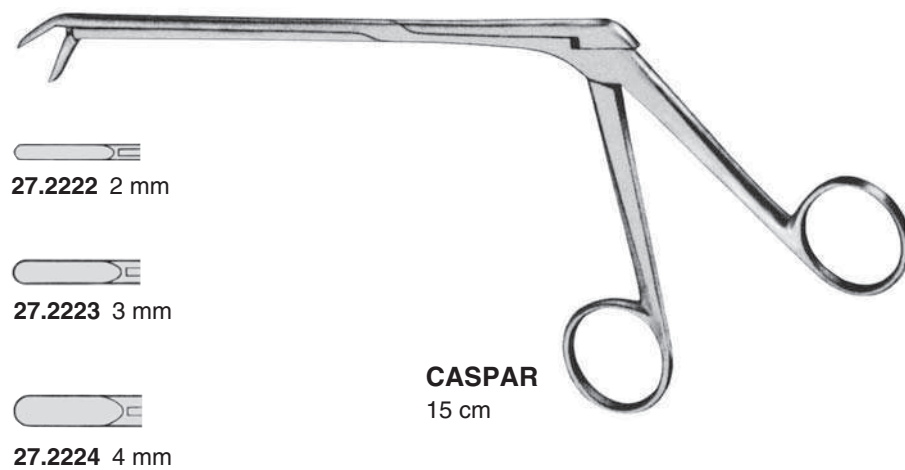
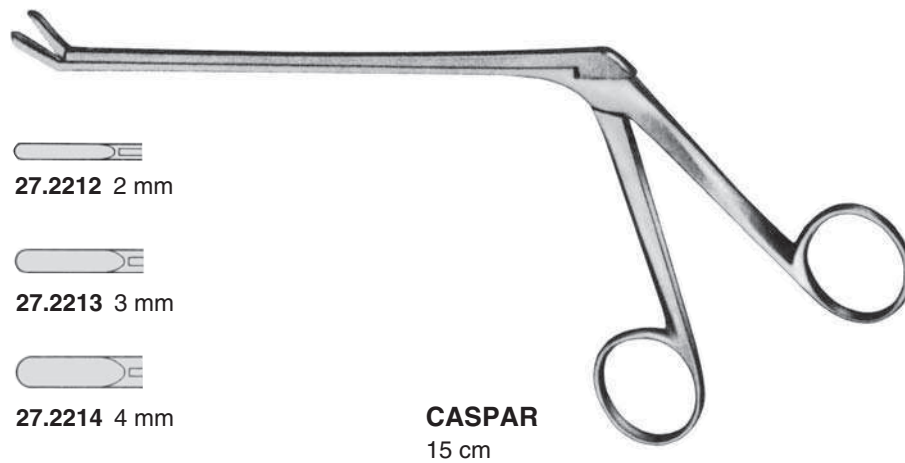
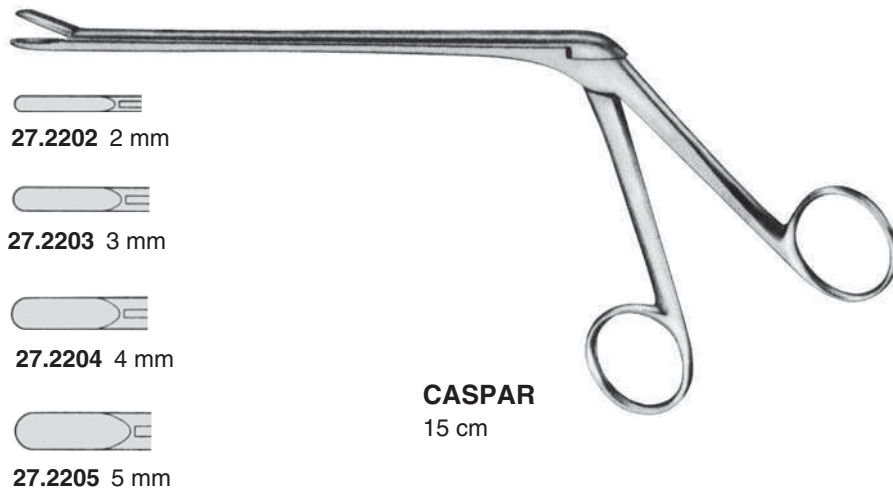
27.2172 15 cm
27.2177 18 cm



OLDBERG
25 cm
27.2180

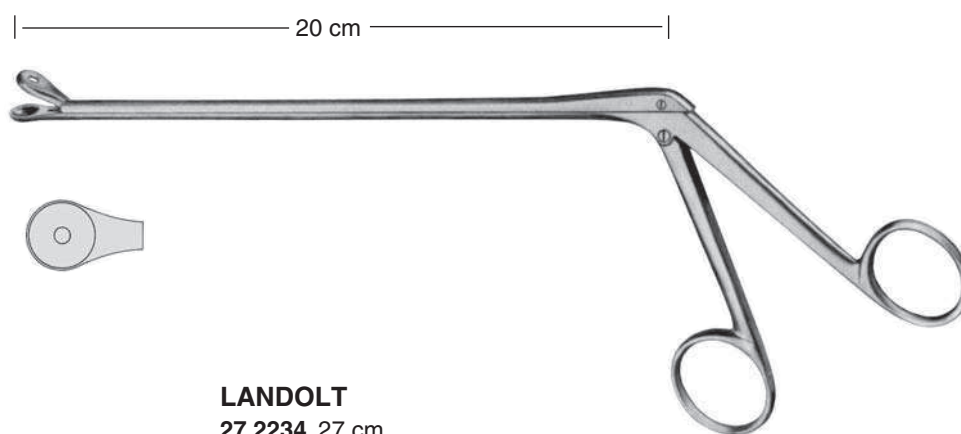


SCHLESINGER
15 cm
27.2186 2 x 10 mm
27.2187 3 x 10 mm
27.2188 4 x 10 mm
27.2189 6 x 10 mm

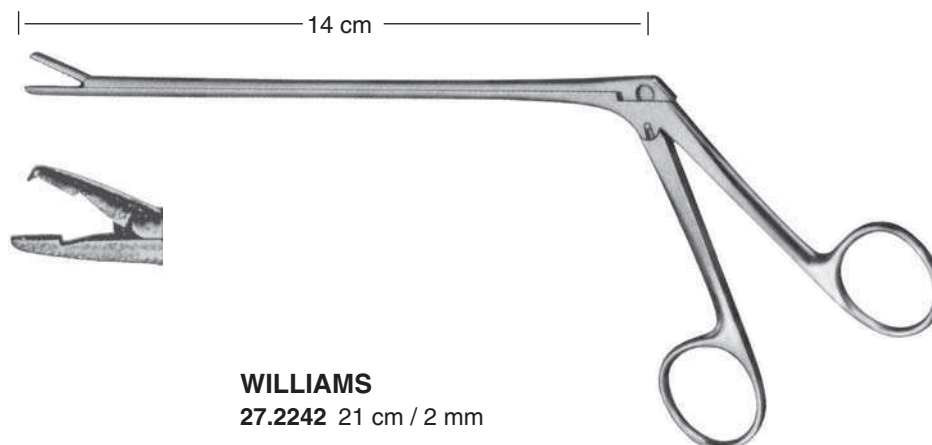




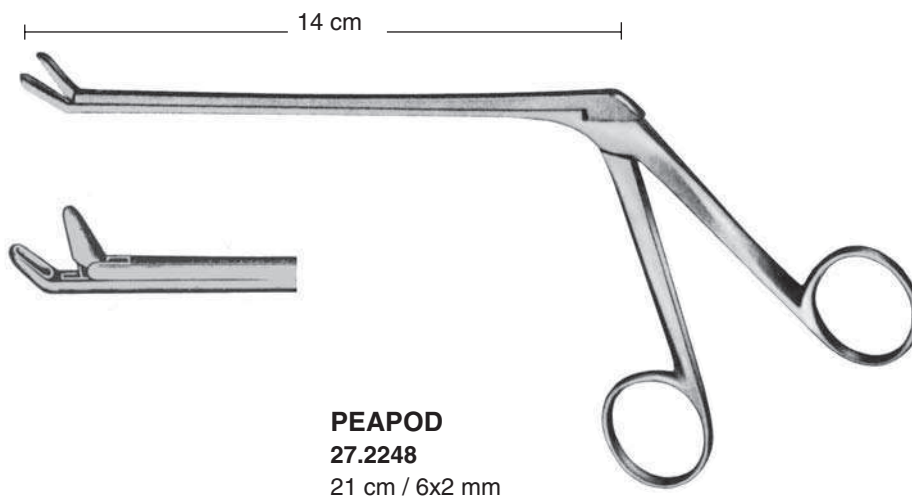
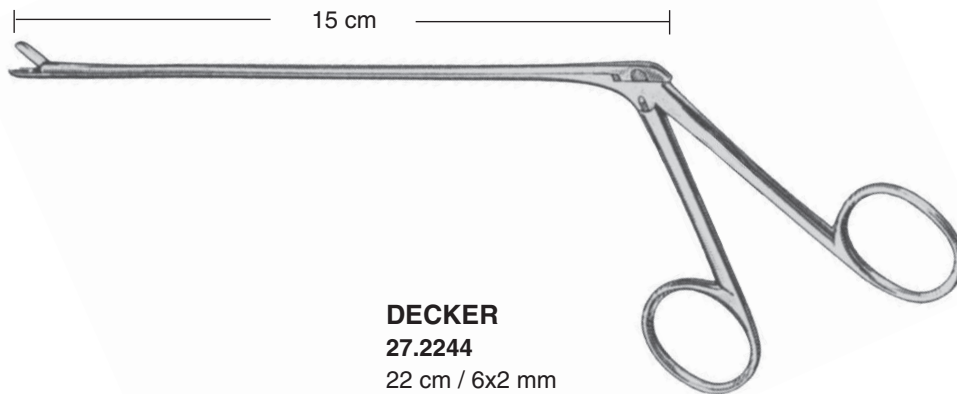
YASARGIL
27.2230 25 cm / 3,5 mm



LANDOLT
27.2234 27 cm



WILLIAMS
27.2242 21 cm / 2 mm



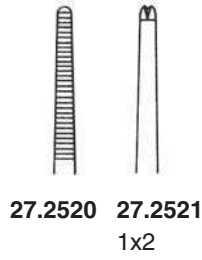
Hypophysenpinzetten
 Hypophyseal forceps
 Pincès à hypophyse
 Pinzas para hipofisis



ADSON
 27.2500 18,5 cm



HOEN
 20cm



27.2520 27.2521
 1x2



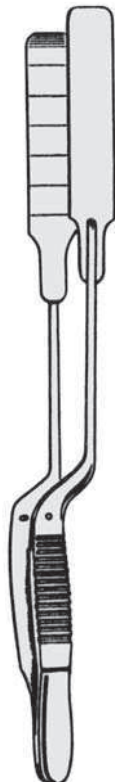
ADSON
 27.2540 23 cm



ADSON
 27.2541 23 cm



ADSON
 27.2542 23 cm



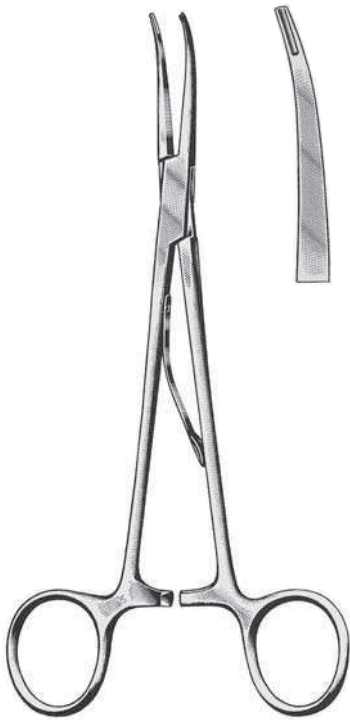
SCOVILLE
 22 cm



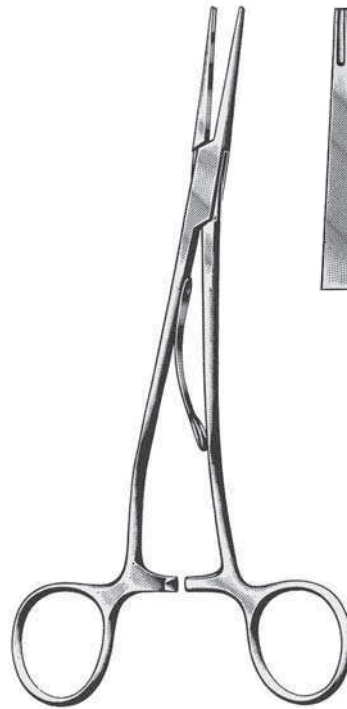
27.2560
 10 mm



27.2562
 13 mm



McKENZIE
27.2701 15 cm
27.2703 19 cm



McKENZIE
27.2702 15 cm
27.2704 19 cm



SMITHWICK
27.2711 23 cm
27.2713 26 cm



SWEET
27.2720 23 cm
27.2722 26 cm



OLIVECRONA-TOENNIS
27.2730 14 cm



McKENZIE

27.2740

100 Stück, Silber
 100 pieces, Silver
 100 pieces, argent
 100 piezas, plata

27.2742

100 Stück, Tantal
 100 pieces, Tantalum
 100 pieces, Tantale
 100 piezas, Tantalio



McKENZIE
27.2745



McKENZIE
27.2746



RANEY
27.2770 17 cm



RANEY
27.2780
 12 Stück / 12 pieces
 12 pieces / 12 piezas



Federhaken zur Galea-Fixation
 Spring hooks for galea fixation
 Crochets à molle pour fixer
 la galea
 Ganchos con muelle para la
 fijación de la galea

YASARGIL
27.2800
 31 cm / 7 mm Ø
27.2802
 41 cm / 9 mm Ø



CASPAR

17 cm

27.5000

Sperrer komplett mit 7 Valven 27.5021 - 27.5027

Retractor complete with 7 blades 27.5021 - 27.5027

Ecarteur complet avec 7 valves 27.5021 - 27.5027

Separador completo con 7 valvas 27.5021 - 27.5027

27.5001

Sperrer allein / retractor only

ecarteur seul / separador solamente

27.5021 40 mm



27.5022 45 mm



27.5023 50 mm



27.5024 55 mm



27.5025 60 mm



27.5026 65 mm



27.5027 70 mm



CASPAR



27.5030 45 mm



27.5033 60 mm



27.5031 50 mm



27.5034 65 mm



27.5032 55 mm



CASPAR

27.5050

Sperrer komplett mit 5 Valven 27.5072 - 27.5076
 Retractor complete with 5 blades 27.5072 - 27.5076
 Ecarteur complet avec 5 valves 27.5072 - 27.5076
 Separador completo con 5 valvas 27.5072 - 27.5076

27.5051

Sperrer allein / retractor only
 ecarteur seul / separador solamente



27.5062 38 mm



27.5063 58 mm



27.5071 32 x 22 mm
27.5072 37 x 22 mm
27.5073 43 x 22 mm
27.5074 47 x 22 mm
27.5075 52 x 22 mm
27.5076 57 x 22 mm
27.5077 62 x 22 mm
27.5078 67 x 22 mm



27.5081 32 x 37 mm
27.5082 37 x 37 mm
27.5083 43 x 37 mm
27.5084 47 x 37 mm
27.5085 52 x 37 mm
27.5086 57 x 37 mm
27.5087 62 x 37 mm
27.5088 67 x 37 mm



27.5091 32 x 52 mm
27.5092 37 x 52 mm
27.5093 43 x 52 mm
27.5094 47 x 52 mm
27.5095 52 x 52 mm
27.5096 57 x 52 mm
27.5097 62 x 52 mm
27.5098 67 x 52 mm



CASPAR
27.5100

Sperrer komplett mit 5 Valven 27.5183 - 27.5187
Retractor complete with 5 blades 27.5183 - 27.5187
Ecarteur complet avec 5 valves 27.5183 - 27.5187
Separador completo con 5 valvas 27.5183 - 27.5187

27.5101

Sperrer allein / retractor only
ecarteur seul / separador solamente



CASPAR
27.5110

Sperrer komplett mit 5 Valven 27.5183 - 27.5187
Retractor complete with 5 blades 27.5183 - 27.5187
Ecarteur complet avec 5 valves 27.5183 - 27.5187
Separador completo con 5 valvas 27.5183 - 27.5187

27.5111

Sperrer allein / retractor only
ecarteur seul / separador solamente



CASPAR

27.5183 45 x 23 mm
27.5184 50 x 23 mm
27.5185 55 x 23 mm
27.5186 60 x 23 mm
27.5187 65 x 23 mm



CASPAR

- 27.5132 40 x 23 mm
- 27.5133 45 x 23 mm
- 27.5134 50 x 23 mm
- 27.5135 55 x 23 mm
- 27.5136 60 x 23 mm

MEDIAL

CASPAR

27.5114

Sperrer komplett mit 5 Valven

27.5132 - 27.5136 & 27.5152 - 27.5156

Retractor complete with 5 blades

27.5132 - 27.5136 & 27.5152 - 27.5156

Ecarteur complet avec 5 valves

27.5132 - 27.5136 & 27.5152 - 27.5156

Separador completo con 5 valvas

27.5132 - 27.5136 & 27.5152 - 27.5156

27.5115

Sperrer allein / retractor only

ecarteur seul / separador solamente



CASPAR

27.5120

Sperrer komplett mit 5 Valven

27.5132 - 27.5136 & 27.5152 - 27.5156

Retractor complete with 5 blades

27.5132 - 27.5136 & 27.5152 - 27.5156

Ecarteur complet avec 5 valves

27.5132 - 27.5136 & 27.5152 - 27.5156

Separador completo con 5 valvas

27.5132 - 27.5136 & 27.5152 - 27.5156

27.5121

Sperrer allein / retractor only

ecarteur seul / separador solamente



CASPAR

27.5152 40 x 23 mm

27.5153 45 x 23 mm

27.5154 50 x 23 mm

27.5155 55 x 23 mm

27.5156 60 x 23 mm

LATERAL

Valven für CASPAR Sperrer
 Blades for CASPAR retractors
 Valves pour écarteurs CASPAR
 Valvas para separadores CASPAR



CASPAR TITANIUM

- 27.5122 40 x 25 mm
- 27.5123 45 x 25 mm
- 27.5124 50 x 25 mm
- 27.5125 55 x 25 mm
- 27.5126 60 x 25 mm

MEDIAL



CASPAR

- 27.5152 40 x 23 mm
- 27.5153 45 x 23 mm
- 27.5154 50 x 23 mm
- 27.5155 55 x 23 mm
- 27.5156 60 x 23 mm

LATERAL



CASPAR

- 27.5132 40 x 23 mm
- 27.5133 45 x 23 mm
- 27.5134 50 x 23 mm
- 27.5135 55 x 23 mm
- 27.5136 60 x 23 mm

MEDIAL



CASPAR

- 27.5164 50 x 25 mm
- 27.5166 60 x 25 mm



CASPAR TITANIUM

- 27.5142 40 x 25 mm
- 27.5143 45 x 25 mm
- 27.5144 50 x 25 mm
- 27.5145 55 x 25 mm
- 27.5146 60 x 25 mm

LATERAL



CASPAR

- 27.5183 45 x 23 mm
- 27.5184 50 x 23 mm
- 27.5185 55 x 23 mm
- 27.5186 60 x 23 mm
- 27.5187 65 x 23 mm



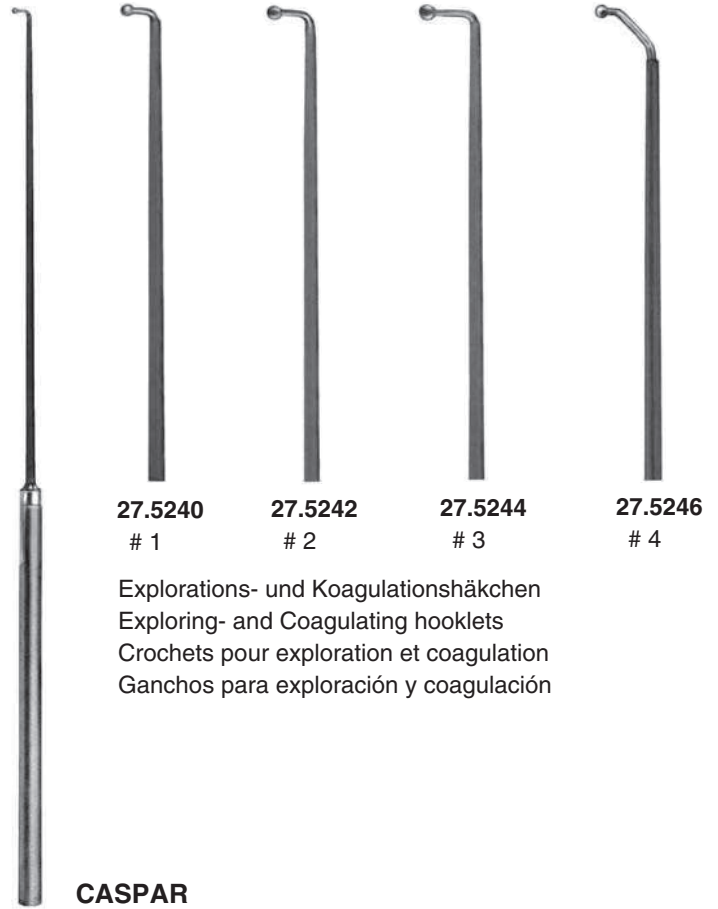
CASPAR

27.5199

Pinzette zum Blattwechsel
 Forceps for changing valves
 Pince pour changer les valves
 Pinza para cambiar valvas



CASPAR
 20 cm
 27.5220 55 x 14 mm
 27.5222 67 x 17 mm



27.5240 # 1 **27.5242 # 2** **27.5244 # 3** **27.5246 # 4**

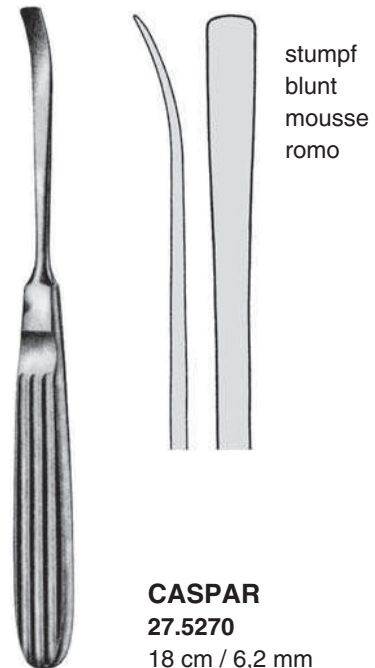
Explorations- und Koagulationshäkchen
 Exploring- and Coagulating hooklets
 Crochets pour exploration et coagulation
 Ganchos para exploración y coagulación

Raspatorien und Elevatorien / Raspatories and Elevators
 Rugines et Elevateurs / Périostotomos y Elevadores



CASPAR
27.5260
 18 cm / 6,2 mm

scharf
 sharp
 pointu
 agudo



CASPAR
27.5270
 18 cm / 6,2 mm

stumpf
 blunt
 mousse
 romo



- 27.5401 45 mm
- 27.5402 50 mm
- 27.5403 55 mm
- 27.5404 60 mm
- 27.5405 65 mm



modifiziertes Model
 improved model
 modèle modifié
 modelo modificado

CASPAR
 27.5401 - 27.5405



CASPAR
 27.5420

Sperrer komplett mit 6 Valven 27.5430 - 27.5435
 Retractor complete with 6 blades 27.5430 - 27.5435
 Ecarteur complet avec 6 valves 27.5430 - 27.5435
 Separador completo con 6 valvas 27.5430 - 27.5435

27.5421

Sperrer allein / retractor only
 ecarteur seul / separador solamente

27.5430 35 mm



27.5431 40 mm



27.5432 45 mm



27.5433 50 mm



27.5434 55 mm



27.5435 60 mm



27.5436 65 mm

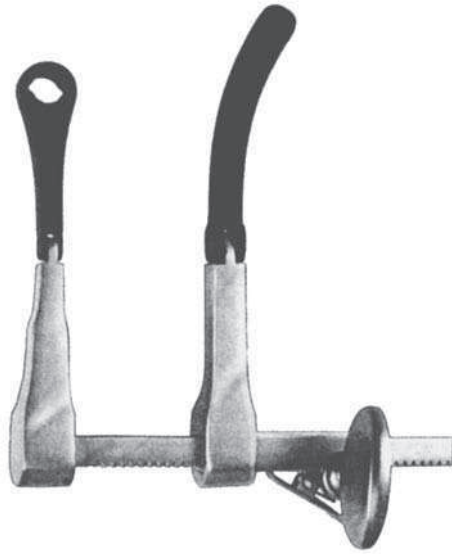


27.5437 75 mm



27.5438 85 mm





CASPAR

27.5440

Gegensperrerr komplett mit 6 Valven
 Counter-Retractor complete with 6 blades:
 Ecarteur complet avec 6 valves:
 Separador completo con 6 valvas:
 27.5430 - 27.5435 (Seite 183 / page 183 /
 page 183 / pagina 183)

27.5441

Sperrer allein
 Retractor only
 Ecarteur seul
 Separador solamente



CASPAR

27.5500

Distraktor, von links komplett mit 27.5509 Bohrlehre rechts, 27.5520 Bohrer für
 Distractionsschrauben, 27.5536 (2) Bohrer 1,7mm Ø, 27.5550 Schraubenzieher

Vertebral Body Distractor, from left, complete with: 27.5509 Drill Guide, right;
 27.5520 Drill for Distraction Screws, 27.5536 (2) Distraction screws,
 27.5550 Screwdriver

Distracteur vertebra, de gauche, complet avec: 27.5509 Guide-mèche de
 droite, 27.5520 mèche, 27.5536 (2) vis à distraction, 27.5550 Tourne-vis.

Distractor vertebral (derecha) completo con: 27.5509 guia para brocas,
 27.5520 broca, 27.5536 (2) tornillos para distracción, 27.5550 destornillador.

27.5501

Distraktor alleine/Distractor only/Distracteur seul/Distractor suelto



Bohrlehre für
 Drill guide for
 Guide-mèche pour
 Guia para brocas para
 27.5500

27.5509



CASPAR
27.5510

Distraktor, von rechts komplett mit 27.5519 Bohrlehre links, 27.5520 Bohrer für
Distraktionsschrauben, 27.5536 (2) Bohrer 1,7mm Ø, 27.5550 Schraubenzieher

Vertebral Body Distractor, from right, complete with: 27.5519 Drill Guide, left;
27.5520 Drill for Distraction Screws, 27.5536 (2) Distraction screws, 27.5550
Screwdriver

Distracteur vertebraal, de droite, complet avec: 27.5519 Guide-mèche de gauche,
27.5520 mèche, 27.5536 (2) vis à distraction, 27.5550 Tourne-vis.

Distractor vertebraal (izquierda) completo con: 27.5519 guia para brocas, 27.5520
broca, 27.5536 (2) tornillos para distracción, 27.5550 destornillador.

27.5511

Distraktor alleine/Distractor only/Distracteur seul/Distractor suelto



27.5519

Bohrlehre für
Drill guide for
Guide-mèche pour
Guia para brocas para
27.5510



Bohrer
 Drill
 Mèche
 Broca

CASPAR
27.5520
 14,5 cm / 1,7 mm



Distraktionsschraube
 Distraction screw
 Vis à distraction
 Tornillo para distracción

CASPAR
27.5534 14 mm
27.5536 16 mm
27.5538 18 mm



Schraubenzieher
 Screwdriver
 Tourne-vis
 Destornillador

CASPAR
27.5550 20 cm



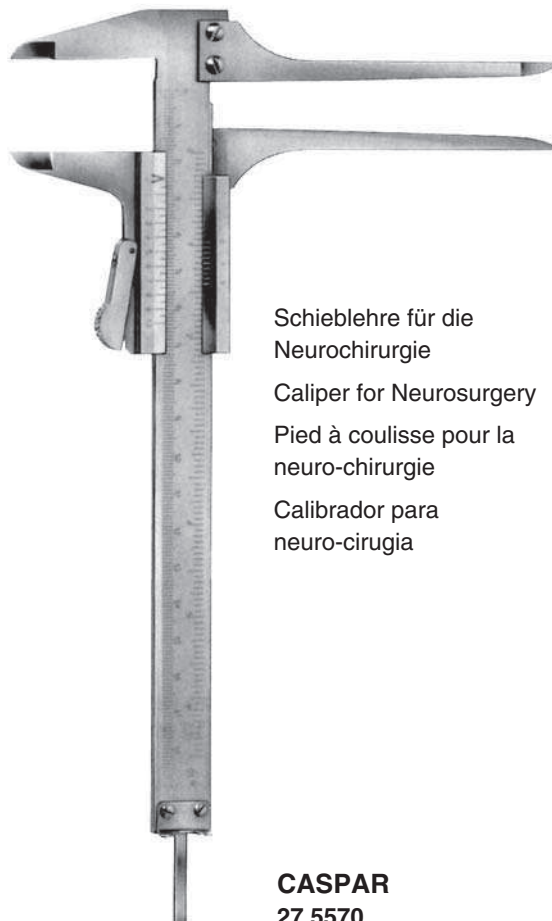
27.5561
 # 1



27.5562
 # 2

Längsband-Dissektoren
 Vertebral body dissector
 Dissecteurs vertébraux
 Disecadores para cuerpos vertebrales

CASPAR
 20,5 cm



Schieblehre für die
 Neurochirurgie
 Caliper for Neurosurgery
 Pied à coulisse pour la
 neuro-chirurgie
 Calibrador para
 neuro-cirugia

CASPAR
27.5570



Halte- und Einschlaginstrument
 Bone graft holder and impactor
 Tendeur et impacteur
 Impactor

CASPAR
 27.5580
 21 cm



27.5593
 3 mm



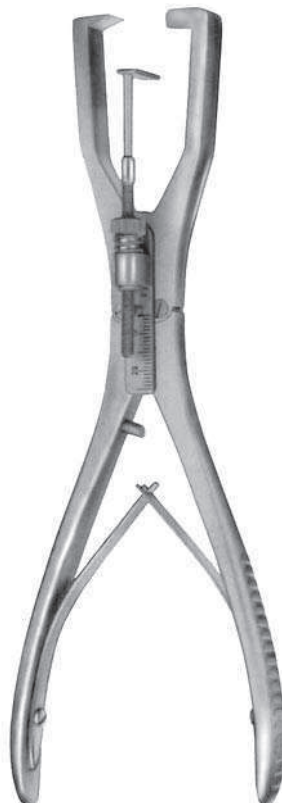
27.5595
 5 mm



27.5598
 8 mm

Stößel
 Tampers
 hémostats
 hemostaticas

CASPAR
 20 cm



Knochenmarkschneider
 Graft cutter
 Pince coupante moelle
 Pinza para cortar médula

CASPAR
 27.5600
 22 cm