

PRO-MED



Knochenchirurgie / Neurochirurgie / Mikrochirurgie

Bone Surgery / Neuro Surgery / Micro Surgery

Chirurgie osseuse / Neurochirurgie / Microchirurgie

Cirurgia osea / Neuro Cirurgia / Micro Cirurgia

PRO-MED

Halbrohrplatten mit Rundlöchern
Semi-tubular plates with round holes
Plaques semi-tubulaires à trous ronds
Placas semitubulares con orificios redondo



24.1200 - 24.1210

L = mm	Löcher / Holes Trous / Orificios	
39	2	24.1200
55	3	24.1201
71	4	24.1202
87	5	24.1203
103	6	24.1204
119	7	24.1205
135	8	24.1206
151	9	24.1207
167	10	24.1208
183	11	24.1209
199	12	24.1210

Schmale Platten
Narrow plates
Plaques étroites
Placas estrechas

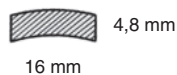


24.1242 - 24.1256

Gleitloch
Gliding holes
Trous à compression
Orificios para compresión

L = mm	Löcher / Holes Trous / Orificios	Gleitloch / Gliding holes Trous à compression / Orificios para compresión
39	2	24.1242
55	3	24.1243
71	4	24.1244
87	5	24.1245
103	6	24.1246
119	7	24.1247
135	8	24.1248
151	9	24.1249
167	10	24.1250
183	11	24.1251
199	12	24.1252
215	13	24.1253
231	14	24.1254
247	15	24.1255
263	16	24.1256

Breite Platten
 Broad plates
 Plaques larges
 placas anchas



24.1285 - 24.1298

Gleitloch
 Gliding holes
 Trous à compression
 Orificios para compresión

L = mm	Löcher / Holes Trous / Orificios	Gleitloch / Gliding holes Trous à compression / Orificios para compresión
87	5	24.1285
103	6	24.1286
119	7	24.1287
135	8	24.1288
151	9	24.1289
167	10	24.1290
183	11	24.1291
199	12	24.1292
215	13	24.1293
231	14	24.1294
247	15	24.1295
263	16	24.1296
279	17	24.1297
295	18	24.1298

Mini-Fragment-Platten
Mini fragment plates
Plaques à fragments mini
Placas para fragmentos mini

Viertelrohrplatten
One-quarter tubular plates
Plaques d'un quart de tube
Placas de un cuarto de tubo



L = mm	Löcher / Holes Trous / Orificios	
23	3	24.1303
33	4	24.1304
41	5	24.1305
49	6	24.1306
57	7	24.1307
65	8	24.1308

Drittelrohrplatten
One-third tubular plates
Plaques d'un tiers de tube
Placas de un tercio de tubo



L = mm	Löcher / Holes Trous / Orificios	
25	2	24.1312
37	3	24.1313
49	4	24.1314
61	5	24.1315
73	6	24.1316
85	7	24.1317
97	8	24.1318
145	12	24.1322

Gerade Mini-Platten
Straight mini-plates
Mini-plaques droites
Mini-placas rectas



L = mm	Löcher / Holes Trous / Orificios	
17	3	24.1323
23	4	24.1324
29	5	24.1325
35	6	24.1326

Finger-Platten
Finger plates
Plaques à doigts
Placas para dedos



24.1331
L-förmig, links
L-shaped, left side
forme L, à gauche
forma L, a la izquierda



24.1332
L-förmig, rechts
L-shaped, right side
forme L, à droite
forma L, a la derecha



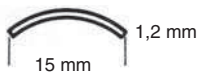
24.1333
schräg links
left side oblique
à gauche oblique
a la izquierda oblicua



24.1334
schräg rechts
right side oblique
à droite oblique
a la derecha oblicua

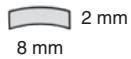


24.1341
T-förmig
T-shaped
forme T
forma T



24.1342
 15 x 1,2 mm

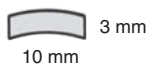
Mehrfragmentplatte
 Multi fragment plate
 Plaque à fragments multiples
 Placa para fragmentos múltiples



24.1402 - 24.1412

Kleinfragmentplatten
 Small fragment plates
 Plaques pour petits fragments
 Placas para fragmentos pequeños

L = mm	Löcher / Holes Trous / Orificios	
20	2	24.1402
36	4	24.1404
44	5	24.1405
52	6	24.1406
60	7	24.1407
68	8	24.1408
76	9	24.1409
84	10	24.1410
100	12	24.1412



24.1422 - 24.1432

Finger-Platten
 Finger plates
 Plaques à doigts
 Placas para dedos

L = mm	Löcher / Holes Trous / Orificios	
25	2	24.1422
37	3	24.1423
49	4	24.1424
61	5	24.1425
73	6	24.1426
85	7	24.1427
97	8	24.1428
109	9	24.1429
121	10	24.1430
145	12	24.1432



24.1441
 L-förmig, links
 L-shaped, left side
 forme L, à gauche
 forma L, a la izquierda



24.1442
 L-förmig, rechts
 L-shaped, right side
 forme L, à droite
 forma L, a la derecha



24.1443
 schräg links
 left side oblique
 à gauche oblique
 a la izquierda oblicua

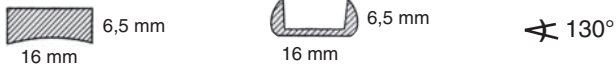


24.1444
 schräg rechts
 right side oblique
 à droite oblique
 a la derecha oblicua



24.1451
 T-förmig
 T-shaped
 forme T
 forma T

Winkelplatten
Angular plates
Plaques angulaires
Placas angulares

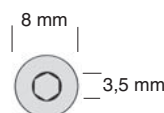
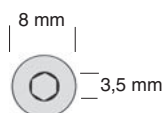


Gleitloch / Gliding holes

Trous à compression / Orificios para compresión

KL	SL:			
	60 mm	104 mm	152 mm	200 mm
50 mm	24.1651			
60 mm	24.1652			
70 mm	24.1653	24.1673	24.1683	24.1693
75 mm	24.1654			
80 mm	24.1655	24.1675	24.1685	24.1695
85 mm	24.1656			
90 mm	24.1657	24.1677	24.1687	24.1697
95 mm	24.1658			
100 mm	24.1659			
105 mm	24.1660			
110 mm	24.1661			

Große Schrauben
 Large screws
 Vis grandes
 Tornillos grandes



Corticalis- und Malleolarschrauben
 Corticalis and malleolar screws
 Vis corticales et malléolaires
 Tornillos corticales y maleolares



4,5 mm

4,5 mm

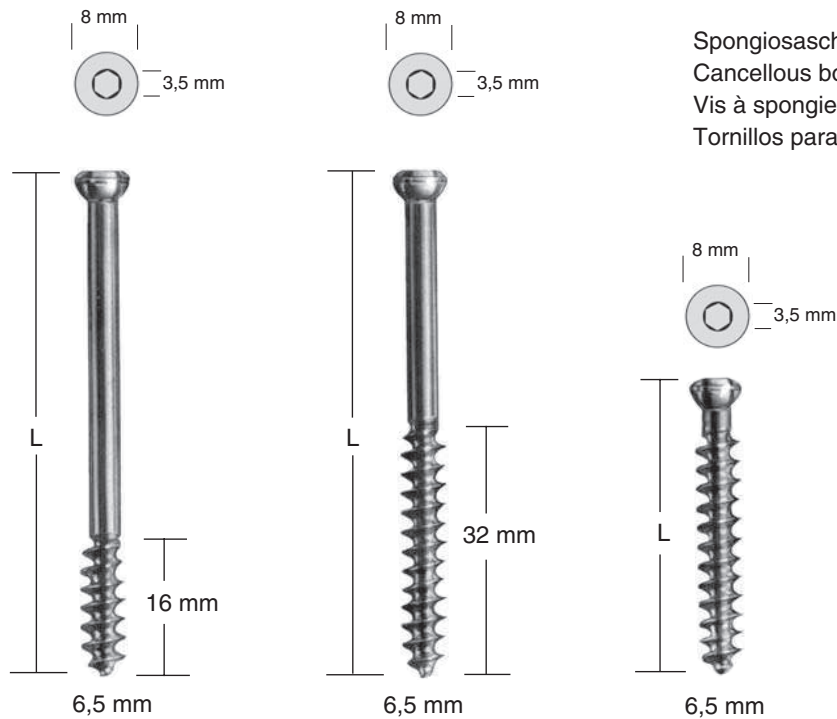
L = mm	DIN 58812 ISO 5835/1	DIN 58814 ISO 5835/1
14	24.2001	
16	24.2002	
18	24.2003	
20	24.2004	24.2030
22	24.2005	
24	24.2006	
25		24.2031
26	24.2007	
28	24.2008	
30	24.2009	24.2032
32	24.2010	
34	24.2011	
35		24.2033
36	24.2012	
38	24.2013	
40	24.2014	24.2034
42	24.2015	
44	24.2016	
45		24.2035
46	24.2017	
48	24.2018	
50	24.2019	24.2036
52	24.2020	
54		
55		24.2037
56	24.2022	
58	24.2023	
60	24.2024	24.2038
64	24.2026	
65		24.2039
70	24.2028	24.2040
80	24.2029	24.2041

Mutter
 Nut
 Ecrou
 Dado



24.2049
 11 mm

Große Schrauben
Large screws
Vis grandes
Tornillos grandes



Spongiaschrauben
Cancellous bone screws
Vis à spongieuse
Tornillos para esponjosa

L = mm	DIN 58815 ISO 5835/1	DIN 58815 ISO 5835/1	
25			24.2090
30	24.2051		24.2091
35	24.2052		24.2092
40	24.2053		24.2093
45	24.2054	24.2073	24.2094
50	24.2055	24.2074	24.2095
55	24.2056	24.2075	24.2096
60	24.2057	24.2076	24.2097
65	24.2058	24.2077	24.2098
70	24.2059	24.2078	24.2099
75	24.2060	24.2079	24.2100
80	24.2061	24.2080	24.2101
85	24.2062	24.2081	24.2102
90	24.2063	24.2082	24.2103
95	24.2064	24.2083	24.2104
100	24.2065	24.2084	24.2105
105	24.2066	24.2085	24.2106
110	24.2067	24.2086	24.2107
115	24.2068		
120	24.2069		

Unterlegscheibe
Washer
Rondelle
Arandela

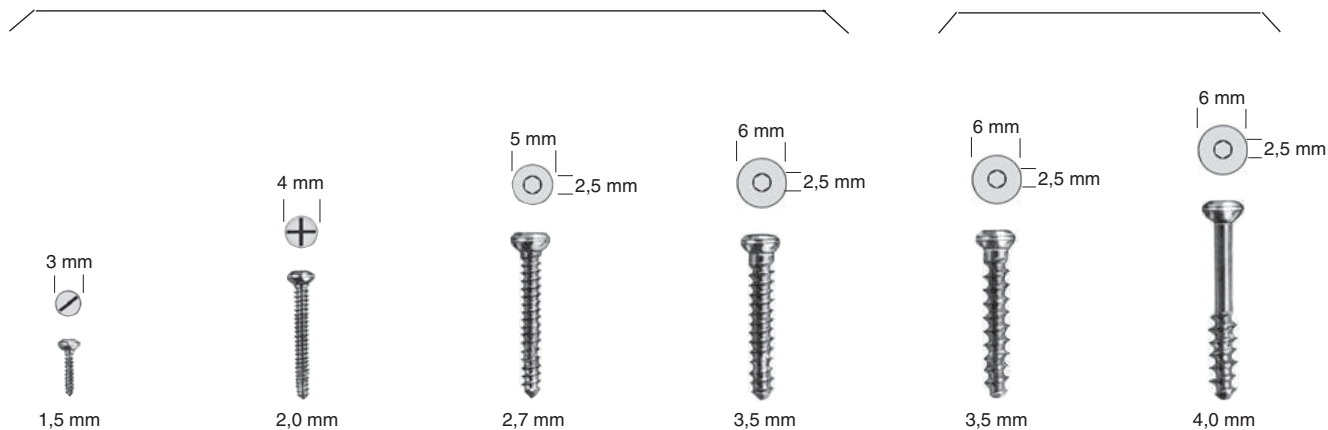


24.2109
13 mm

Knochenschrauben
 Bone screws
 Vis à os
 Tornillos para huesos

Corticalis

Spongiosa
 Cancellous



L = mm		DIN 58812 ISO 5835/1	DIN 58812 ISO 5835/1	DIN 58812 ISO 5835/1		DIN 58815 ISO 5835/1
6	24.2110	24.2130	24.2150			
7	24.2111					
8	24.2112	24.2132	24.2152			
9	24.2113					
10	24.2114	24.2134	24.2154	24.2174	24.2204	24.2234
11	24.2115					
12	24.2116	24.2136	24.2156	24.2176	24.2206	24.2236
14	24.2117	24.2137	24.2157	24.2177	24.2207	24.2237
16	24.2118	24.2138	24.2158	24.2178	24.2208	24.2238
18	24.2119	24.2139	24.2159	24.2179	24.2209	24.2239
20	24.2120	24.2140	24.2160	24.2180	24.2210	24.2240
22		24.2141	24.2161	24.2181	24.2211	24.2241
24		24.2142	24.2162	24.2182	24.2212	24.2242
26			24.2163	24.2183	24.2213	24.2243
28			24.2164	24.2184	24.2214	24.2244
30			24.2165	24.2185	24.2215	24.2245
32			24.2166	24.2186	24.2216	
34				24.2187		
35						24.2247
36				24.2188	24.2217	
38				24.2192		
40				24.2189	24.2218	24.2248
42				24.2193		
45				24.2190	24.2219	24.2249
48				24.2194		
50				24.2191	24.2220	24.2250
55					24.2221	
60					24.2222	

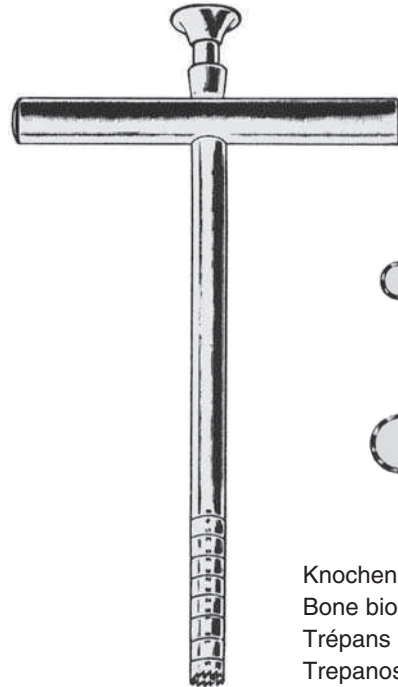
Unterlegscheibe
 Washer
 Rondelle
 Arandela



24.2251
 7 mm



LANE
 24.2252 23 cm



Ø 5 mm

Ø 8 mm

Knochenbiopsie-Instrumente
 Bone biopsy trephines
 Trépanos pour biopsie osseuse
 Trepanos para biopsia osea

24.2255 20 cm / Ø 5 mm
24.2256 20 cm / Ø 8 mm



LANE
 24.2258 18 cm



Gewindeschneider
 Gimlets
 Tarauds
 Tarauds

24.2262 14 cm / 2,7 mm
24.2264 16 cm / 3,5 mm
24.2267 18 cm / 4,5 mm
24.2268 22 cm / 6,5 mm



PHILLIPS
24.2270
25 cm



Schraubendreher
Screw drivers
Tournevis
Destornilladores



24.2271
17 cm



LANE
24.2272
25 cm



LANE
24.2273
25 cm



24.2274
20 cm / 1,5 mm
24.2275
25 cm / 2,5 mm
24.2276
25 cm / 3,5 mm





23.0990 15 cm
 Reinigungsinstrument
 Scaler
 Instrument pour nettoyer
 Instrumento para limpiar



24.2254 8 cm
 Schraubenhaltepinzette, selbthaltend
 Screwholding Forceps self-holding
 Pince-porte-vis autostatique
 Pinza porta-tornillos autostatica



24.3050 9 cm
 Griffstück für Gewindeschneider
 Tap Handle
 Poignée pour taraud
 Gira Macho



Schraubenmessgerät bis
 Screw depth gauge up to
 Appareil pour mesureur vis jusqu'à
 Medidor para tornillos hasta

24.3071	30 mm
24.3072	50 mm
24.3073	100 mm
24.3074	120 mm